

**Alicorn Aviation**

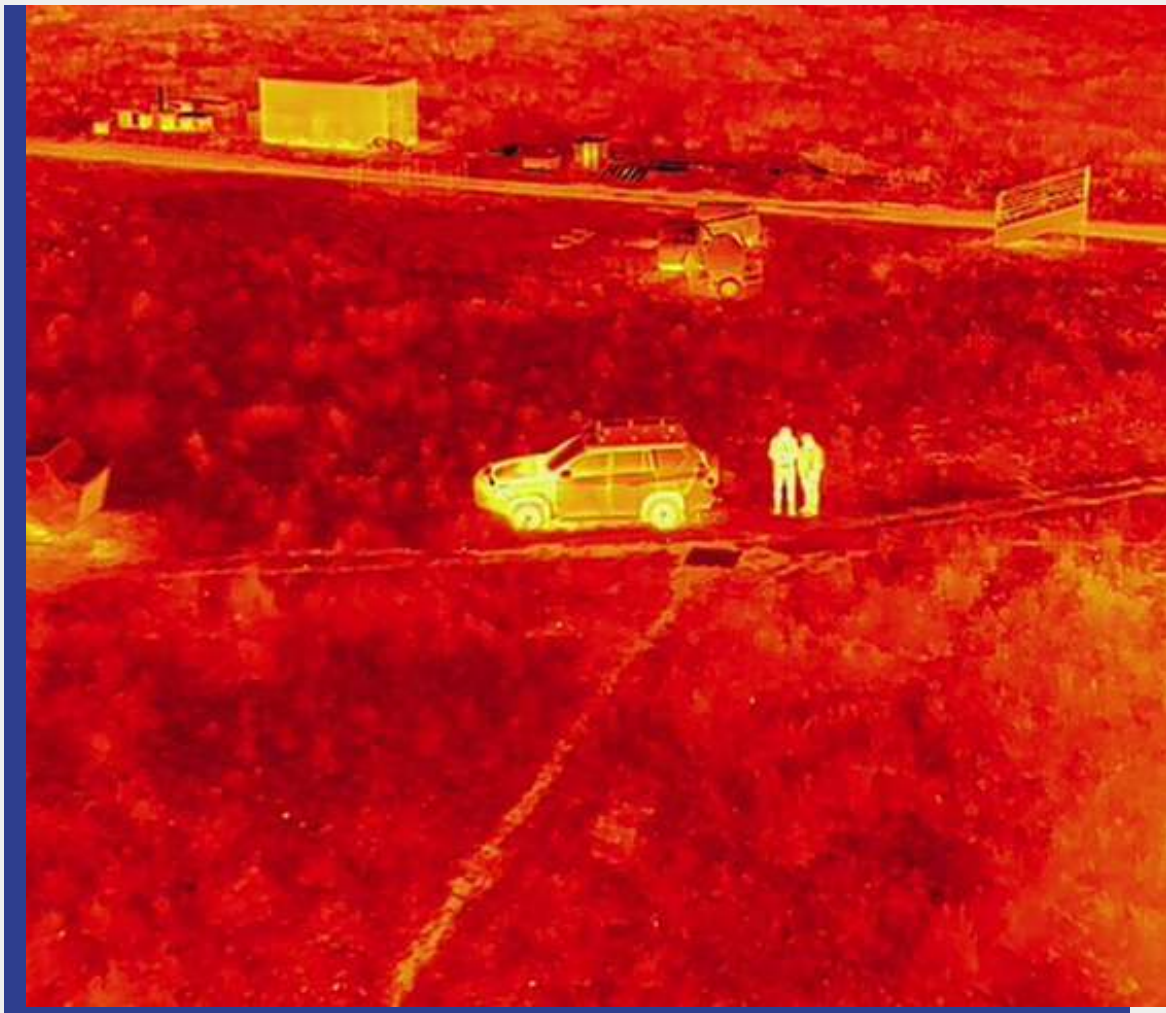
[mail@alicornaviation.com](mailto:mail@alicornaviation.com)

[www.alicornaviation.com](http://www.alicornaviation.com)

Ahmedabad, Gujarat, India

# Product Catalogue

Designed for  
Defense,  
Homeland Security  
& Civil Organization





Intelligence is not measured from the feet to the head, but from the head to the sky

# Tether System



## Perimeter Surveillance



UAS and IR sensors provide you with uninterrupted, all-around, day and night surveillance of a 10 kms (6-miles) area. This rapidly deployable capability gives operators the actionable intelligence they need to make critical decisions in high stress environments.

## Protection of Borders

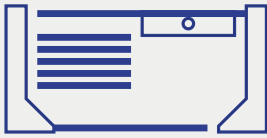


Have access to an enduring, wide-area view of borders or crossing points to facilitate safe control of these critical areas. Rapidly deploy in vulnerable or difficult-to-access border areas to coordinate against criminality and unauthorized crossings.

## Tactical Communications

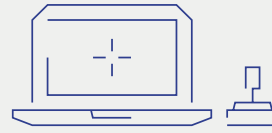


Increase the range and connectivity of a communication network by using the UAS as a 24-hour Variable Height Antenna up to 100 meters (330-feet). Use the Payload Development Kit to integrate a wide range of communication payloads for your mission.



## TETHERED STATION

- 100 m (330-feet) tether
- Unlimited secured power and communications
- Ruggedized design with IP54 certification



## GROUND CONTROL STATION / T-PLANNER SOFTWARE

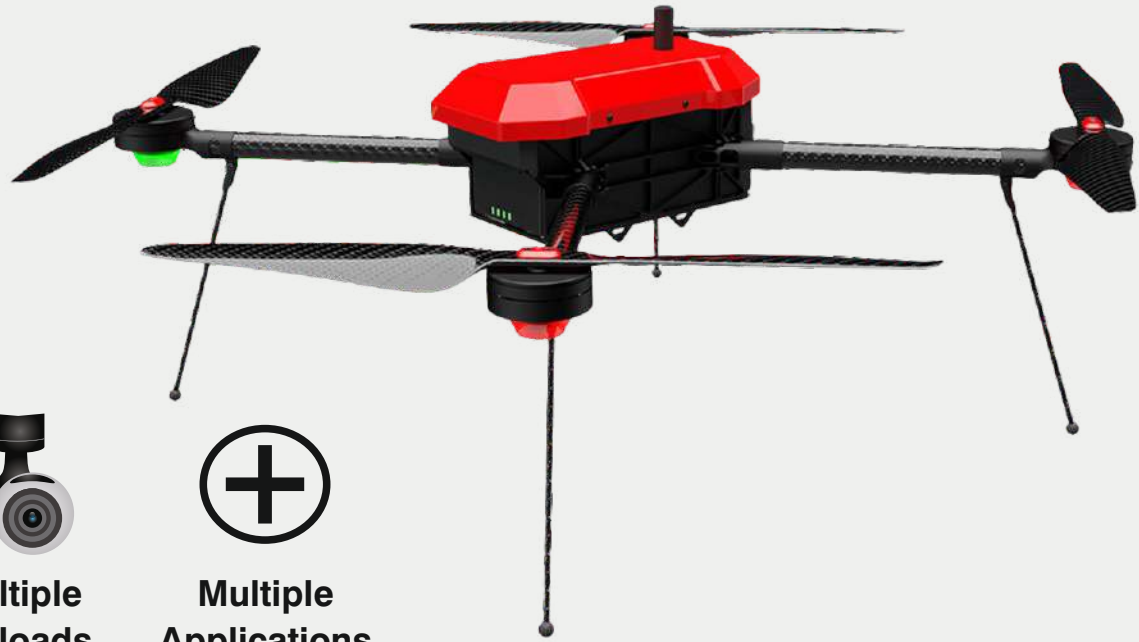
- Push-button command and control
- Actionable intelligence, payload management
- System health monitoring and user maintenance

# TECHNICAL DATA

Micro-tether length	100 m - 330 Ft
Micro-tether weight	Available in 16 g/m, 20.5 g/m, 26 g/m
Output voltage	6S, 12S
Power output	Up to 2200 W continuous
Power source requirement	120 - 230 VAC, 50 - 60 Hz
Tensile strength	120 to 150 daN (270 to 337 lbs)
Micro-tether management	10 pre-sets, smart pre-programmed laws, reset function
Secure dual comms	BPL & optional Fiber Optics
Wifi Connectivity	Frequency 2.4 GHz - 5 GHz Encryption WEP/TKIP/AES, security WPA/WPA2
Operational temperature	-20 to 50° C (-4° to 120° F)
Altitude max	4000 MSL (13 000 ft)
Rugged structure	IP54 certified
Vehicle integration	Ready for integration with mounting plates
Total weight	25 kg - 57 lbs
Dimensions	408 x 603 x 261 mm (16" x 24" x 11") (without feet)

# DART 40

**SAFETY** COMES FIRST



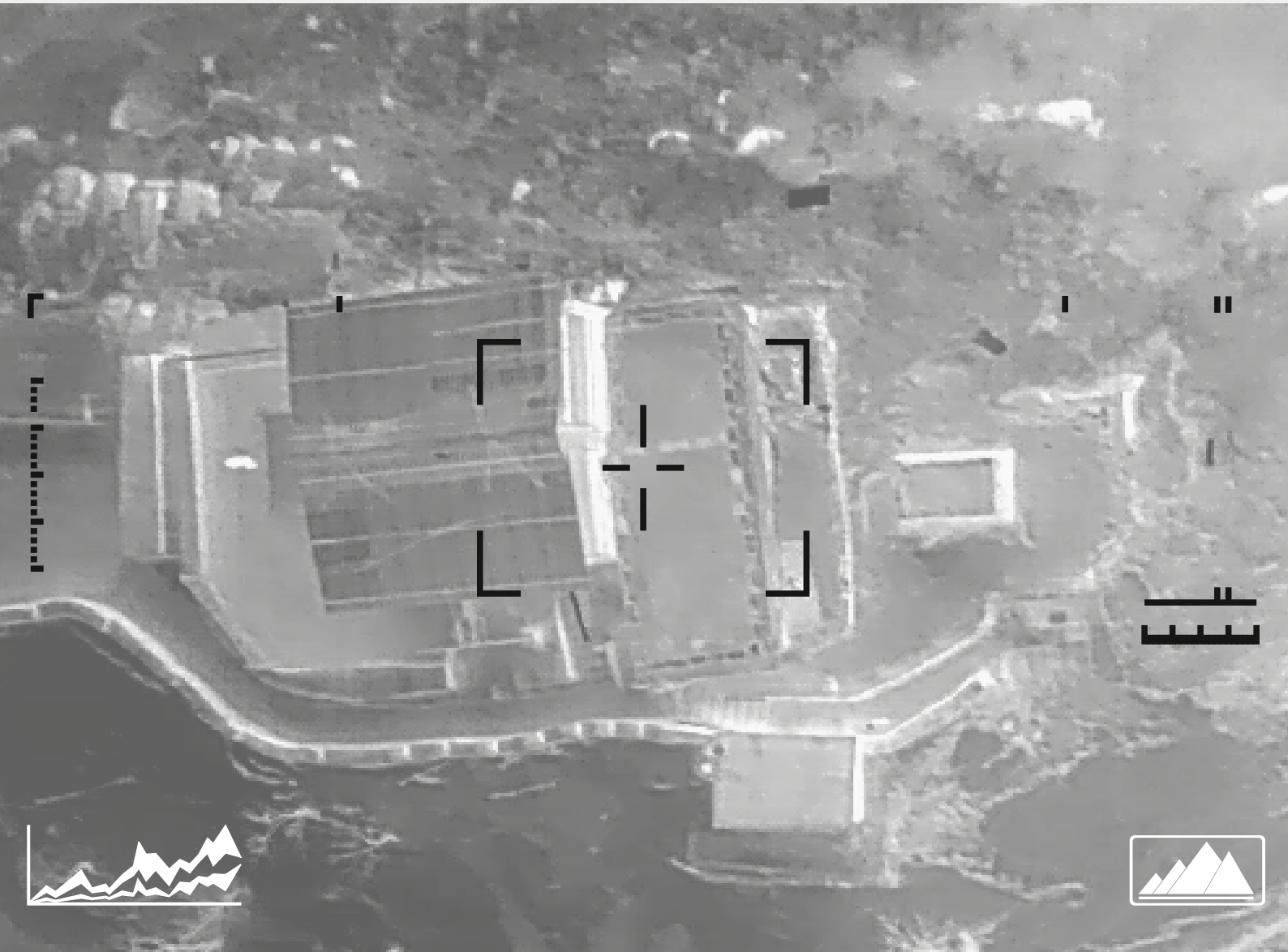
1 Hr 1Kg



Multiple  
Payloads



Multiple  
Applications



# TECHNICAL DATA

## Copter

Take-off weight	2~2.5kgs
Dimensions	Unfolded: 480 X 480 X 300 (Length X Width X Height) Measurements are taken from motor to motor
Diagonal Distance	600mm ~ 650mm
Max Ascent Speed	5 m/s
Max Decent Speed	4 m/s
Max Speed	75 km/h (near sea level, no wind)
Max Service Ceiling Above Sea Level	6500m
Max Flight Time	35~40 minutes in normal flight
Max Hovering Time	40 minutes with light wind
Overall Flight Time	40 minutes in normal flight- 8% remaining battery level
Max Flight Distance	20-25 km (at a consistent 50 km/h, no wind)
Max Wind Speed Resistance	30~40 km/h
Max Tilt Angle	45° (default 35°)
Max Angular Velocity	200°/s
Operating Temperature Range	-10°C~55°C
GNSS	GPS+GLONASS (Upgrade for dual GPS+Glonass optional)
Hovering Accuracy Range	Vertical ± 0.5 meter (with GPS positioning) Horizontal ± 1.5 meter (with GPS positioning)
Operating Frequency	2.400-2.483 GHz; 5.725-5.825 GHz
Transmission Power (EIRP)	100 mW @ 2.4 GHz

# DART 60

Detection Acquisition Recognition Tracking



Designed for  
Defense,  
Homeland Security  
& Civil Organization

# TECHNICAL DATA

## Copter

Takeoff weight	4~4.25kgs
Dimensions	Unfolded: 500 X 500 X 300 (Length X Width X Height) Measurements are taken from motor to motor
Diagonal Distance	700mm
Max Ascent Speed	5 m/s
Max Decent Speed	4 m/s
Max Speed	65 km/h (near sea level, no wind)
Max Service Ceiling Above Sea Level	6000m
Max Flight Time	60~72 minutes in normal flight
Max Hovering Time	65 minutes with light wind
Overall Flight Time	60 minutes in normal flight- 5% remaining battery level
Max Flight Distance	50-65 km (at a consistent 50 kmh, no wind)
Max Wind Speed Resistance	30~40 km/h
Max Tilt Angle	45° (default 35°)
Max Angular Velocity	200°/s
Operating Temperature Range	-10°C~55°C
GNSS	GPS+GLONASS (Upgrade for dual GPS+Glonass optional)
	Vertical
	± 0.5 meter (with GPS positioning)
Hovering Accuracy Range	Horizontal
	± 1.5 meter (with GPS positioning)
Operating Frequency	2.400- 2.483 GHz; 5.725-5.825 GHz
Transmission Power (EIRP)	100 mW @ 2.4 GHz

# Agri Hexacopter

Sturdy and durable · Classic bestseller



All-in-one



biger inlet



Classic Fold



Waterproof

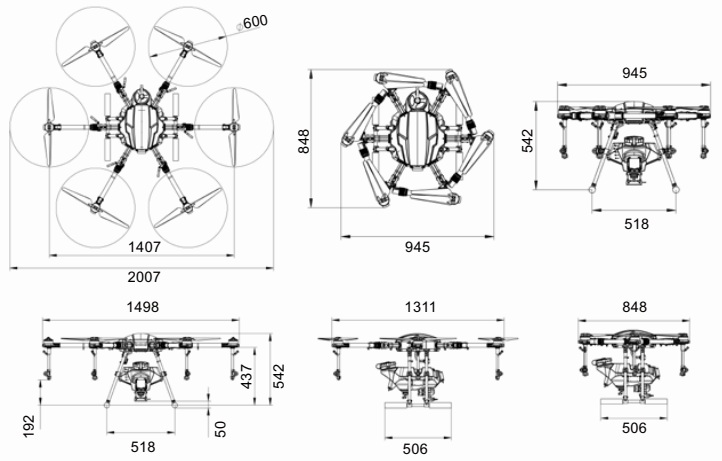


Integrated PDB

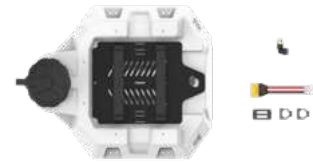
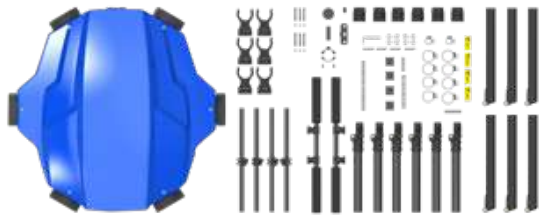




Wheelbase	1407mm
Tank capacity	11L
Frame (net weight)	5.92kg
Tank (net weight)	1.11kg
Expand size	2007*1498*542mm
Folded size	945*848*542mm
Color	Blue/White
Recommended motor	X6 23inch
Recommended Battery	16000mah (12S)
Arm diameter	30mm



## PACKAGE



## OPTIONAL COMBO

- Standard Set



Framex1

- Sprayer & motor set PNP



Package content :

E610P drone frame	x1	Universal spray pneumatic packet
X6 motor set	x6	Motor parts packet
5L brushless pump	x1	Radar RTK Mount
Extended spray bar	x4	Assembly parts package

# Agri Quadcopter

Sturdy and durable · Classic bestseller



All-in-one



biger inlet



Classic Fold



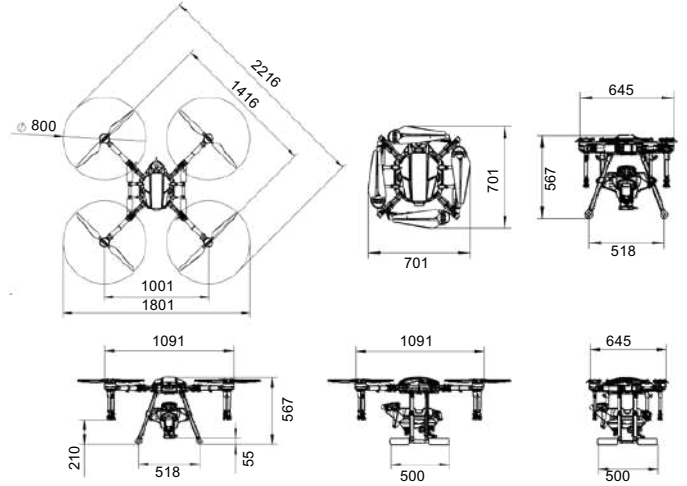
Waterproof



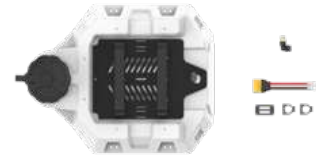
Integrated PDB



Wheelbase	1416mm
Tank capacity	11L
Frame (net weight)	5kg
Tank (net weight)	1.11kg
Expand Size	1801*1801*567mm
Folded size	701*701*567mm
Color	Red/White
Recommended motor	X8 30inch
Recommended Battery	16000mah(12S)
Arm diameter	35mm/40mm



## PACKAGE



## OPTIONAL COMBO

- Standard Set



Framex1

- Sprayer & motor set PNP



Package content:

E410P drone frame	x1	Universal spray pneumatic packet
X8 motor set	x6	Motor parts packet
5L brushless pump	x1	Radar RTK Mount
Extended spray bar	x4	Assembly parts package

# ZR 10

**400MP CMOS**  
**2K Recording**



3-Axis Gimbal Stabilizer High-precision FOC Control



10X Optical Zoom  
3x Digital Zoom



400 Megabits  
Pixels



Support TF Card  
2K Video Recording  
2K Photography



3-Axis  
Gimbal Stabilizer



High-Precision  
FOC Control



High  
Dynamic Range



Starlight Night  
Vision Camera



F1.8 Aperture

Zr10 comes with a CMOS of 400 megabits of effective pixels. Video resolution is up to 2560 x 1440. Recording supports Class 10 high-speed MicroSD cards to present to customers videos with full of elegant details.

10X Optical Zoom 30X Hybrid Zoom ZR10 gimbal camera supports 30x hybrid zoom, Offering clear view beyond hundreds of meters. ZR10 fast and accurate algorithm makes it focus quickly and quite easy to output high-quality videos.



# Drone Thermal Imaging

## Thermal and Starlight Vision to Elevate Your Operations

### SPECIFICATIONS

#### ELECTRICAL

Input Voltage	4.8 - 6.0 VDC
Power Dissipation [peak]	2.1 W (3.9 W)

#### IMAGING & OPTICAL

Color Palettes	Yes – Adjustable in App and via PWM
Frame Rate	7.5 Hz (NTSC); 8.3 Hz (PAL)
HDMI Output	1280x720 @ 50hz, 60hz
Image Optimization	Yes
Invertable Image	Yes – Adjustable in App
IR Camera Resolution	336 x 256
Lens	13 mm; 25° × 19°
Lens Options [FOV for NTSC Analog Output]	13 mm; 24° × 18°
Scene Presets & Image Processing	Yes – Adjustable in App

#### ON-BOARD RECORDING

Vue Pro records digital video and still imagery to a removable micro-SD card so you won't lose any of your data to transmission loss.

#### MAVLINK INTEGRATION & PWM CONTROLS

In addition to MAVLink compatibility for image geo-tagging, the Accessory Port lets you control camera functions in flight by integrating with your drone's control system.



## **Alicorn Aviation Pvt. Ltd.**



[www.alicornaviation.com](http://www.alicornaviation.com)



[mail@alicornaviation.com](mailto:mail@alicornaviation.com)



+91 - 99 25 03 1661